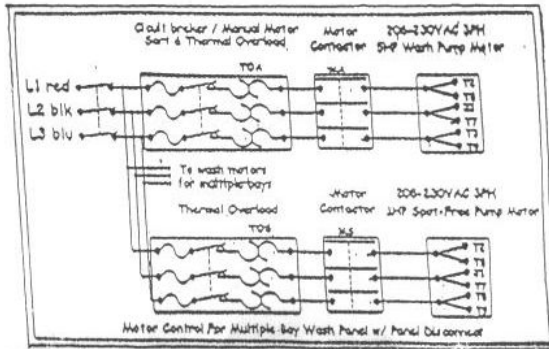
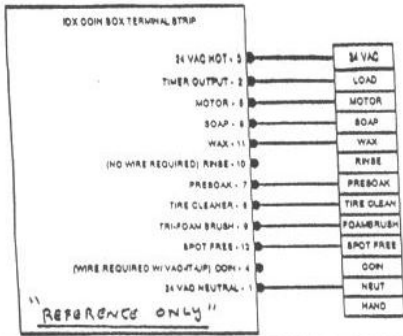
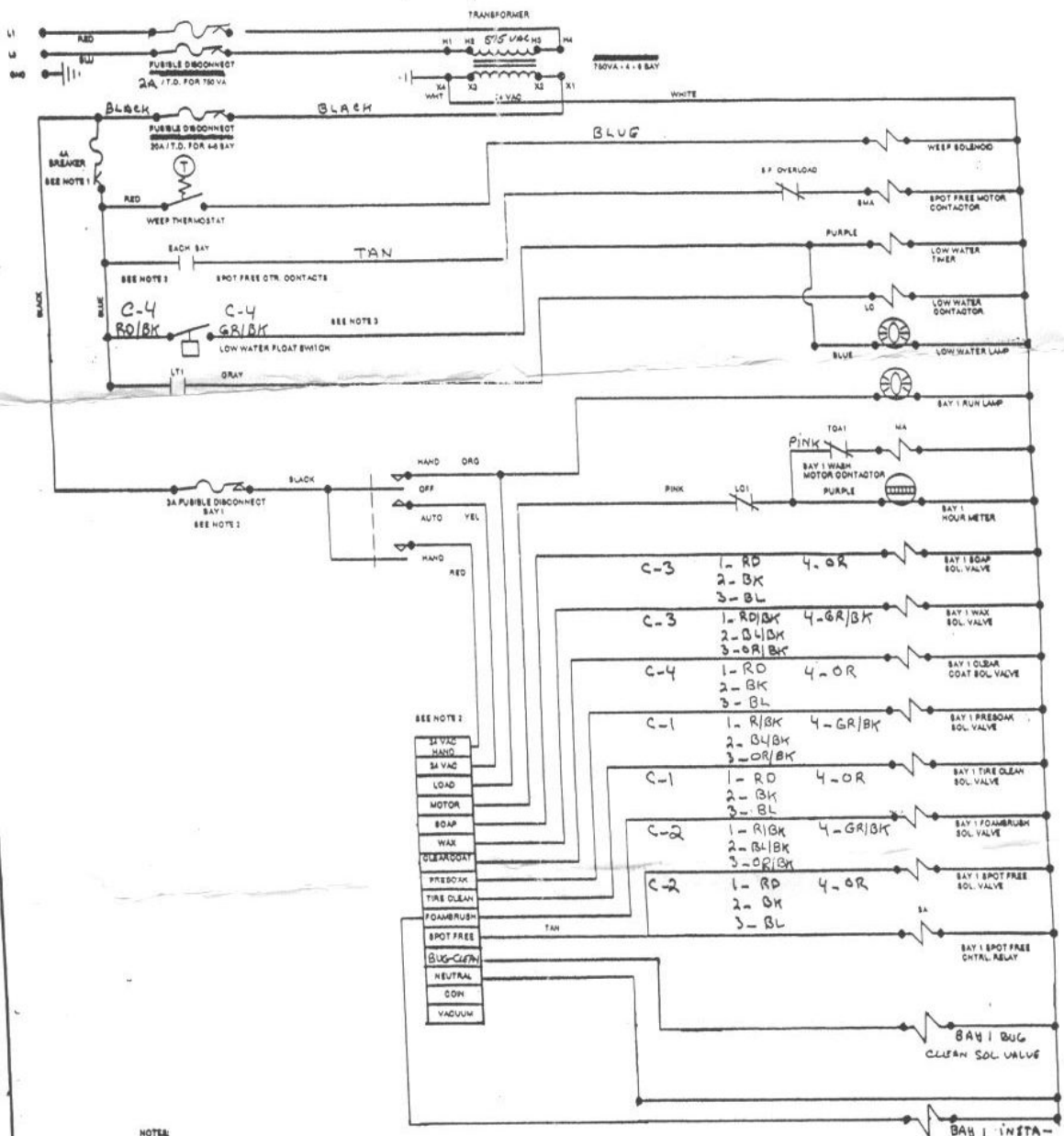


PDM-04

MASTER/4 BAY.



575 VOLTS 3 $\phi$  ABB  
 WO # TO 199045-2  
 SER # 10406 (FORMER SHOW UNIT)  
 BUG CLUSTY  
 FOAM BRUSH C/W INST. AIR



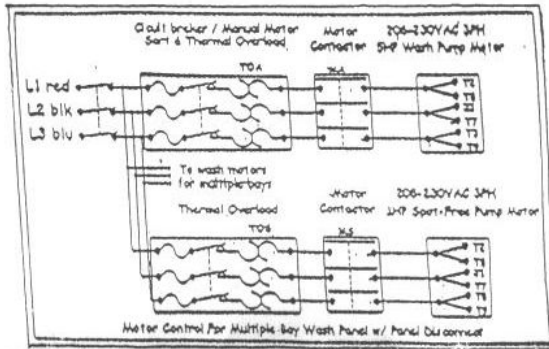
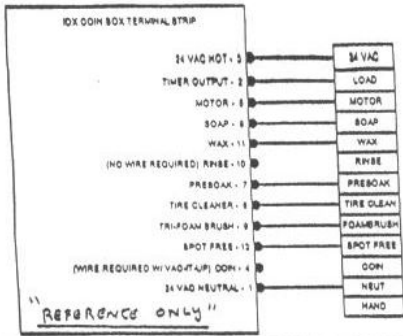
NOTES:  
 1. 4A BREAKER IF TRI-FOAM OPTION USED.  
 4A BLOW FUSE WITHOUT TRI-FOAM OPTION.  
 2. TYPICAL FOR EACH BAY.

DRAWING NUMBER: 981023A  
 CHECKED BY:  
 REVISION DATE: SEP. 21, 2003  
 REVISION NUMBER: A  
 DATE: JULY 4, 2003  
 BAYMASTER 2000 SELF SERVICE CARWASH ELECTRICAL PANEL  
 FOR 1 TO 6 BAYS AS SHOWN  
 P.D. McLAREN LIMITED CANADA 5069 BERESFORD STREET, BURNABY B.C. V5J 1H8

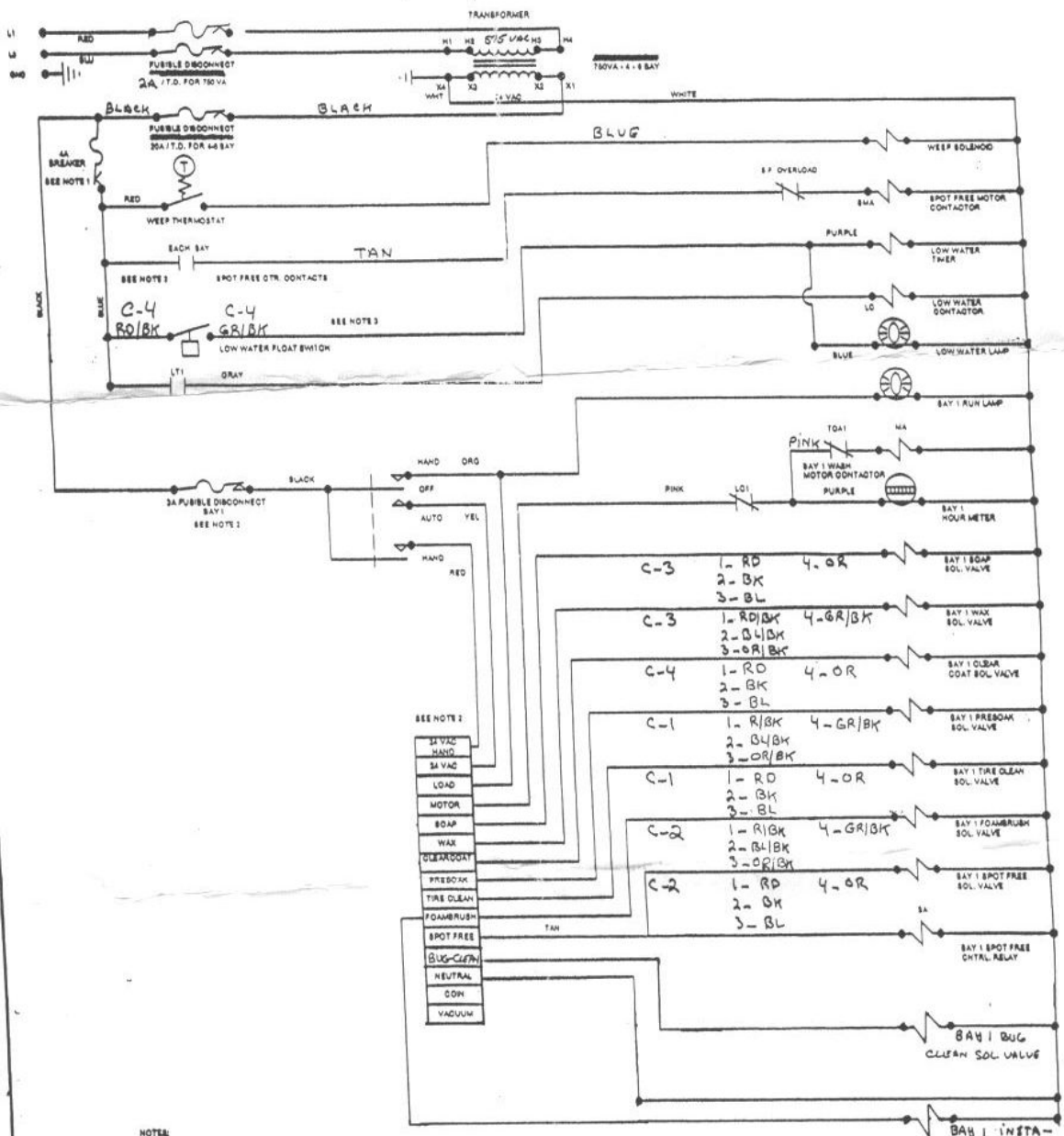
BAY 1 INSTA-AIR SOLENOID VALVE  
 FOAM BRUSH

PDM-04

MASTER/4 BAY.



575 VOLTS 3 $\phi$  ABB  
 WO # TO 199045-2  
 SER # 10406 (FORMER SHOW UNIT)  
 BUG CLUSTY  
 FOAM BRUSH C/W INST. AIR



NOTES:  
 1. 4A BREAKER IF TRI-FOAM OPTION USED.  
 2. 2A BLOW FUSE WITHOUT TRI-FOAM OPTION.  
 3. TYPICAL FOR EACH BAY.

DRAWING NUMBER: 981023A  
 CHECKED BY:  
 REVISION DATE: SEP. 21, 2003  
 REVISION NUMBER: A  
 DATE: JULY 4, 2003  
 BAYMASTER 2000 SELF SERVICE CARWASH ELECTRICAL PANEL  
 FOR 1 TO 6 BAYS AS SHOWN  
 P.D. McLAREN LIMITED CANADA 5069 BERESFORD STREET, BURNABY B.C. V5J 1H8